

**Wastewater Pump Station and Force Main
Design Data Summary Table**

BASIN CHARACTERISTICS	
Location	Address and Cross street
Basin Area	XXX Acres
Equivalent Dwelling Units (EDU) Per Acre	X.X
Persons Per EDU	X.X
Population Equivalent	XXXX
Average per Capita Flow	XX GPD
Infiltration and Inflow, Peak Wet Weather Flow (PWWF)	XXX,XXX GPD
Average Daily Flow (ADF)	XXX,XXX GPD
Peak Hourly Flow	XXX GPM

PUMP STATION	
Type	Duplex submersible, non-clog, variable speed pumps
Capacity (per pump)	XXX gpm @ XX feet TDH (static head = XX ft)
Horsepower, HP	XX HP Each with Variable Frequency Drives
Motor Data	Xxx volt xphase xx cycle
Firm Capacity of Pump Station	X.XX MGD (XXX GPM)
Maximum Pump Starts Per Hour	X
Wet Well Volume	XXXX gallons (pumps off to lead pump on)
Level Control Type	Bubbler with duplex Compressors and backup floats
Overflow Point	Manhole Number and Elevation
Overflow location	Description
Average Time to Overflow	Time and Description xx hours at yy gpm Design Average Influent Flow
Telemetry	Auto-Dialer
Transfer Switch	Automatic
Standby Power Type	XXX kW stationary diesel-powered standby generator.
Fuel Tank Capacity	xx Hrs (XXX Gallons)
EPA Reliability Class	1
Flow Meter	X" Magnetic (Description)
Control	Constant Speed or VFD

DATA TABLE SHEET 1 OF 2

**WASTEWATER PUMP STATION &
FORCE MAIN DESIGN DATA TABLE**

DRAWING NO. 1001

REVISED 01-07



**Wastewater Pump Station and Force Main
Design Data Summary Table**

FORCE MAIN	
Type and Length	XXXX feet (Type?)
Forcemain Velocity	X.X feet per second
Profile	Description
Air Release Valve	Quantity? Description?
Discharge Location	Manhole Number and Elevation
Average Detention Time	XX hours
Sulfide Control System	Description?

OPERATING LEVELS	
Ground Elevation xxx.xx?	
Overflow Alarm Elevation xxx.xx	Float Control System? (backup)
Lag Pump On/High Water Alarm Elevation xxx.xx	Float Control Backup
Lag Pump On/High Water Alarm Elevation xxx.xx	Ultrasonic (provide distance from wet well floor in feet) same as level indicator digital display.
Lead Pump On Elevation xxx.xx	Ultrasonic (provide distance from wet well floor in feet) same as level indicator digital display.
All Pumps Off Elevation xxx.xx	Ultrasonic (provide distance from wet well floor in feet) same as level indicator digital display.
Wetwell Floor Elevation xxx.xx	Ultrasonic (0.00 Feet)

LANDSCAPING	
Landscaping Area	Square feet and Description
Irrigation System	Type
Control Valves	Number and Type
Backflow Device	Size and Type

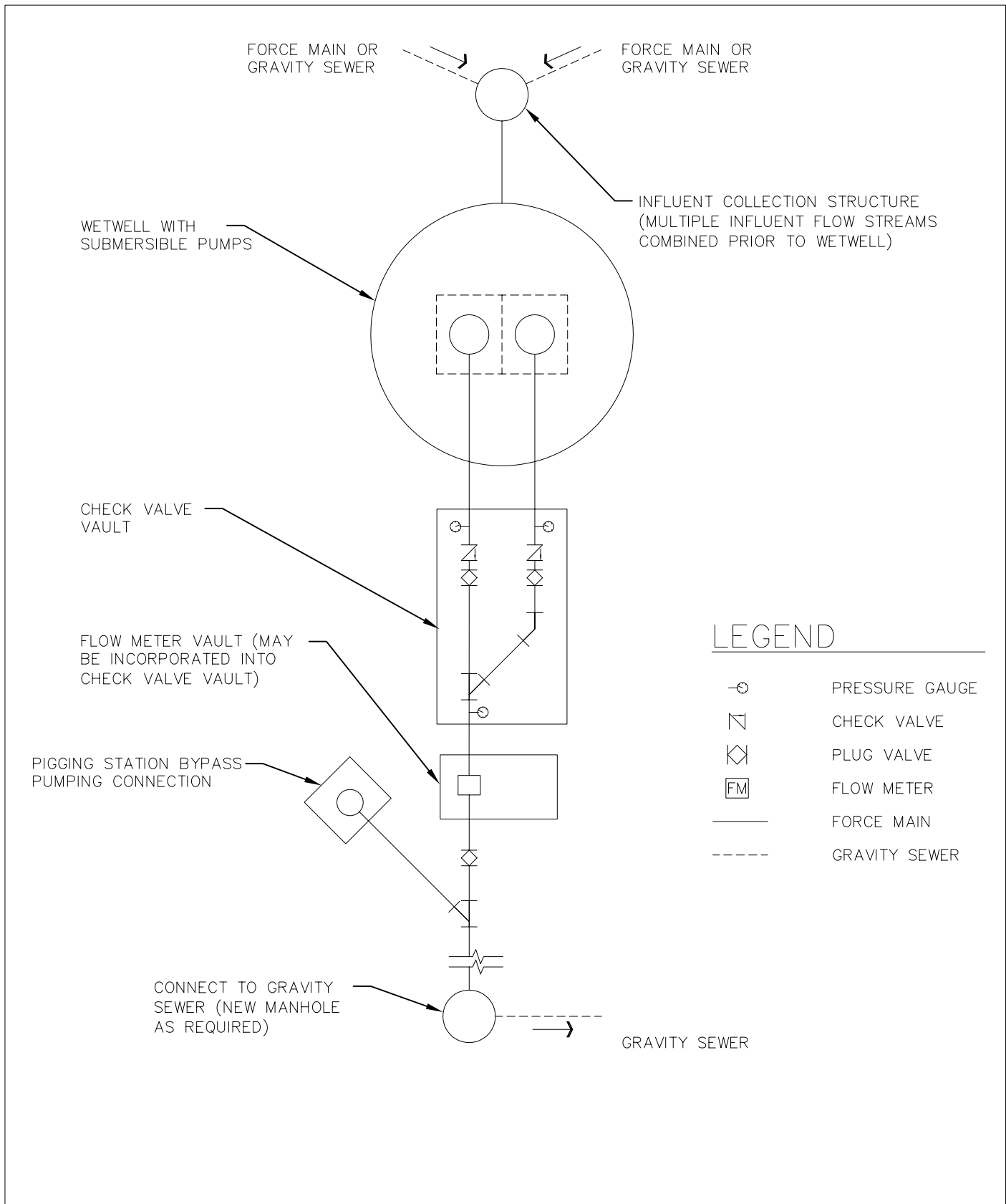
DATA TABLE SHEET 2 OF 2

**WASTEWATER PUMP STATION &
FORCE MAIN DESIGN DATA TABLE**

DRAWING NO. 1002

REVISED 01-07





CONCEPTUAL SITE SCHEMATIC

DRAWING NO. 1003

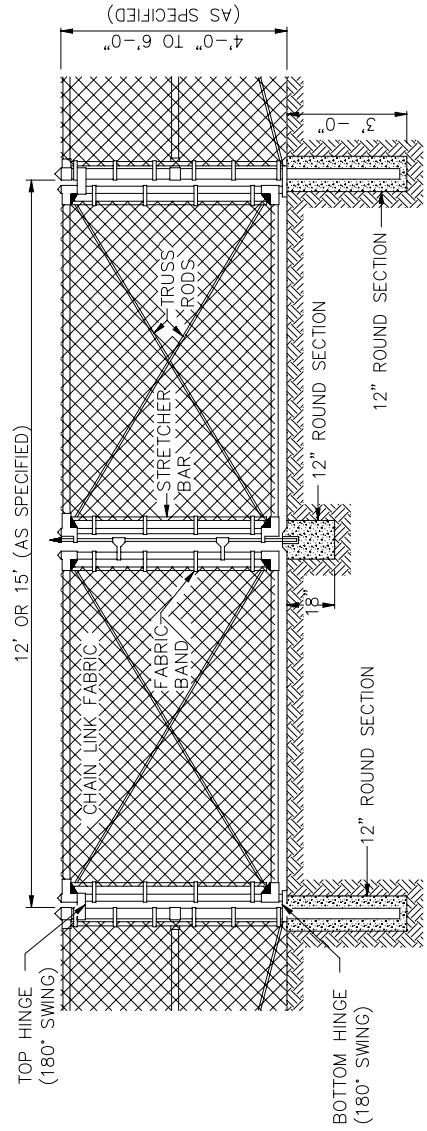
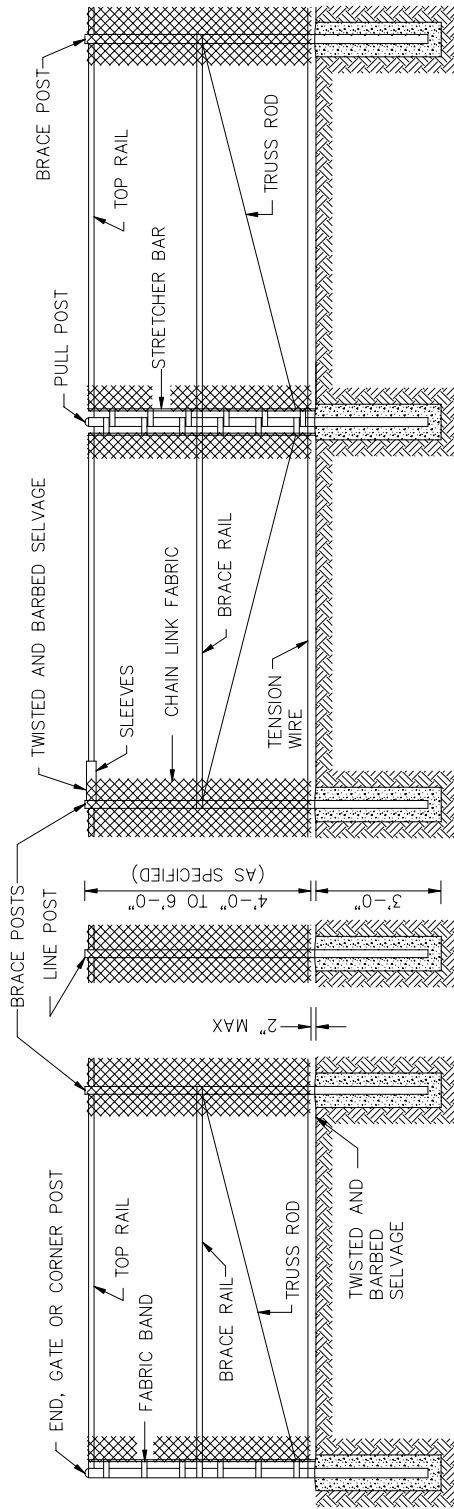
REVISED 12-03



MEMBER	NOMINAL DIA (IN)	MATERIAL
BRACE RAIL	1.660	GALV TUBULAR STL
GATE FRAME	2.00	GALV TUBULAR STL
LINE POSTS	2.375	GALV TUBULAR STL
END & CORNER POST	2.875	GALV TUBULAR STL
CHAIN LINK FABRIC	9 GA. W/GREEN OR BLACK PVC COATING.	
	GATE OPENING (ft)	NOMINAL DIA (IN)
	12' OR 15'	4
		MATERIAL
		GALV TUBULAR STL

NOTES:

1. ALL FITTINGS, FASTENERS, & AND FABRIC TIES SHALL BE HOT DIP GALV.
2. CONC SHALL BE MIN 2500 PSI @ 28 DAYS.
3. PROVIDE BRACE RAIL BETWEEN END POSTS AND LINE POSTS. LENGTHS AS REQ'D.
4. PROVIDE GATE STOPS AND DROP RECEIVERS SET IN CONCRETE, EACH GATE.
5. PROVIDE EXTENSION ARMS ON LINE, END AND CORNER POSTS & GATE POSTS AS REQ'D.
6. PROVIDE SIGHT OBSCURING SLATS WITH ALL WASTEWATER PUMP STATIONS.
7. CENTER BRACE RAIL NOT REQUIRED WITH FENCE HEIGHT OF 5' OR LESS.
8. ALL POSTS AND RAILS TO MATCH FENCE COLOR.

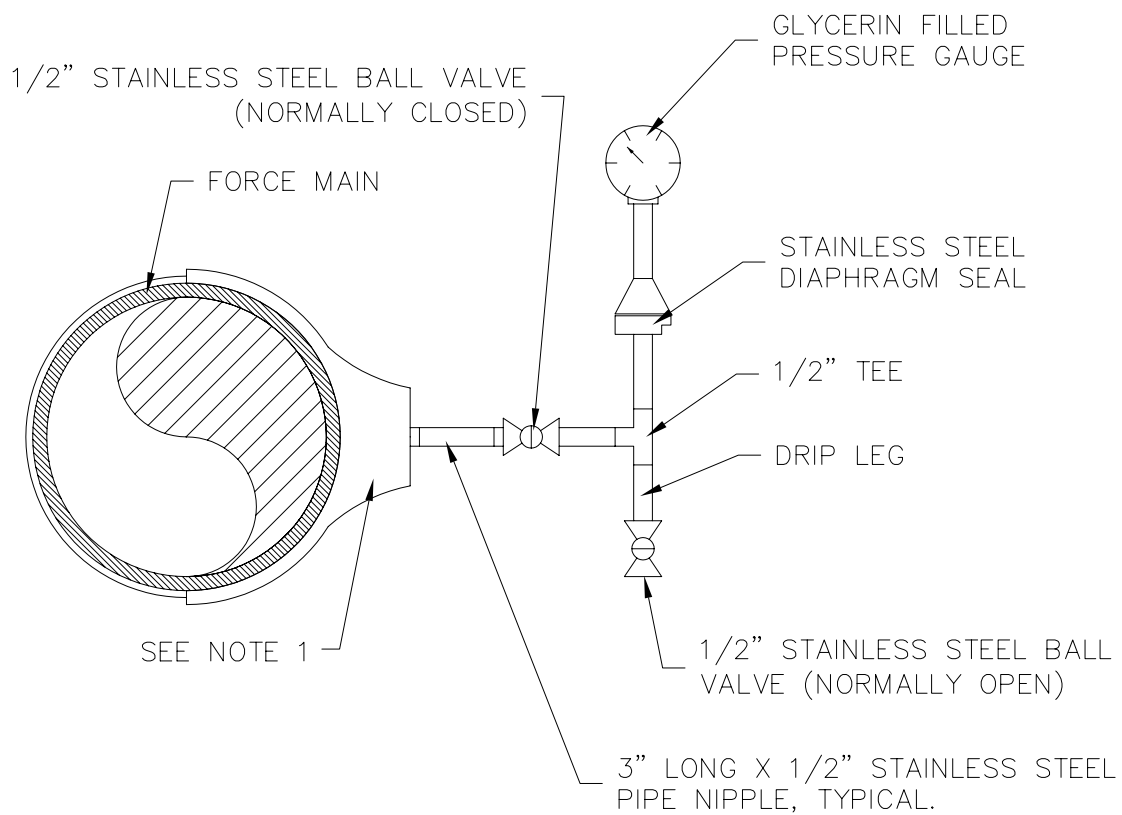


CHAIN LINK FENCE AND GATE

DRAWING NO. 1005

REVISED 12-06





NOTES:

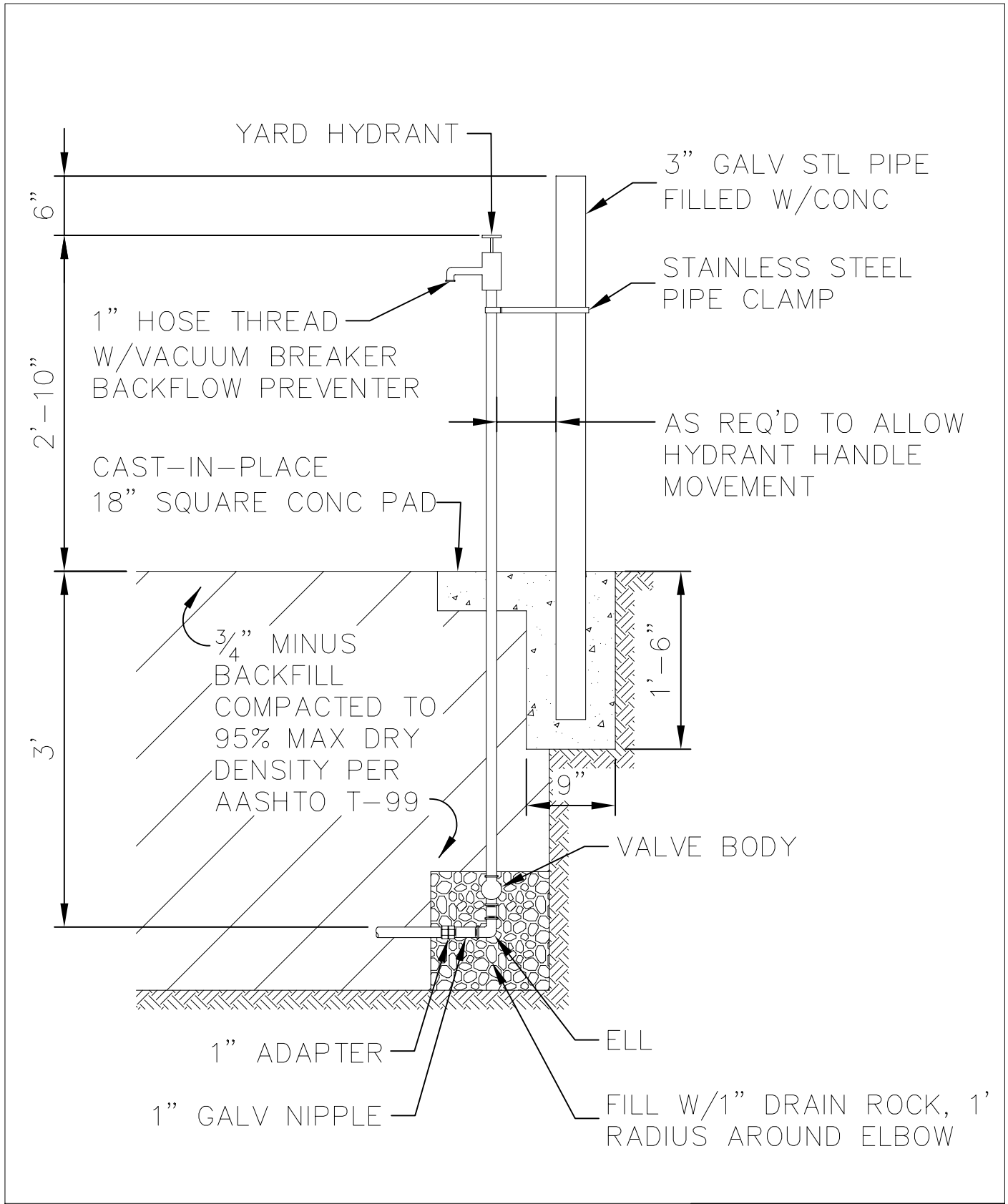
1. INSTALL GAUGE AS SHOWN ON 1/2" DUCTILE IRON PIPE SADDLE WITH STAINLESS STEEL STRAP.
2. ALL PIPE AND FITTINGS SHALL BE SCHEDULE 80 STAINLESS STEEL WITH THREADED ENDS.
3. INSTALL PRESSURE GAUGE AND DIAPHRAGM SEAL PER MANUFACTURERS' REQUIREMENTS.
4. ACCEPTABLE ALTERNATIVE IS FLANGED ANNULAR SEAL, RED VALVE SERIES 45 OR APPROVED EQUAL WITH GLYCERIN FILL.

FORCE MAIN PRESSURE GAUGE

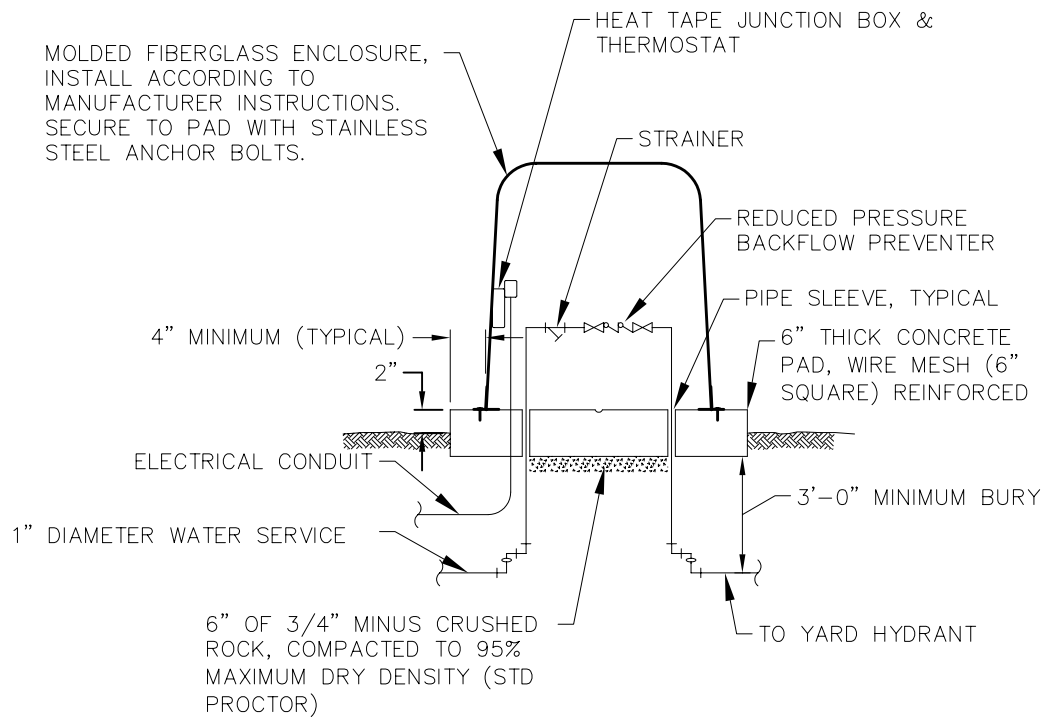
DRAWING NO. 1007

REVISED 12-06


CleanWater Services
 Our commitment is clear.



YARD HYDRANT



NOTE:

1. WRAP EXPOSED WATER PIPE WITH HEAT TAPE AND PVC COATED PIPE INSULATION.

REDUCED PRESSURE BACKFLOW PREVENTER

DRAWING NO. 1011

REVISED 12-03

CleanWater Services

 ●our commitment is clear.